



Winntec Manual Y420250



WINNTEC

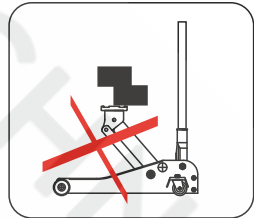
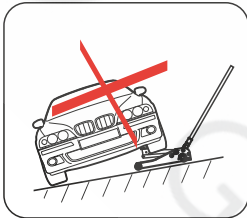
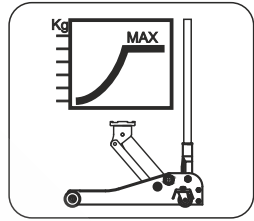
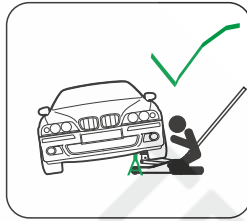
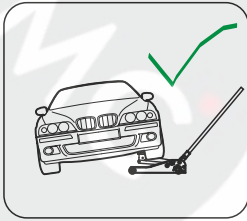
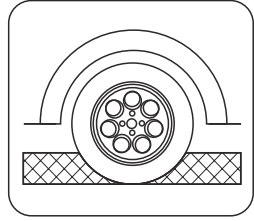
Rechtzaad 6
4703 RC Roosendaal
The Netherlands
Website: www.winntec.nl
e-mail: info@winntec.nl

WINNTEC USA

Gaither Tool Company Inc.
21 Harold Cox Dr.
Jacksonville, Illinois 62650
USA
Website: www.gaithertool.com
E-Mail: sales@gaithertool.com



WARNINGS



NONSENSE

HYDRAULIC

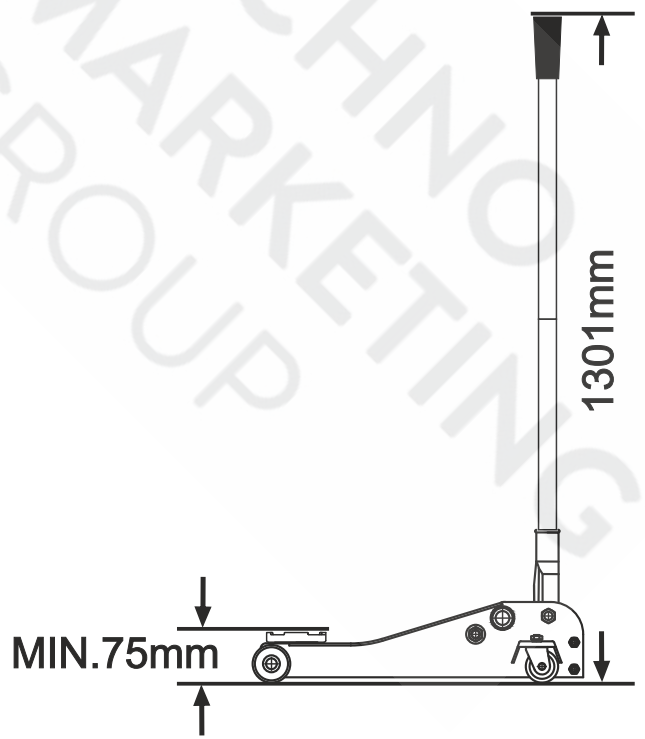
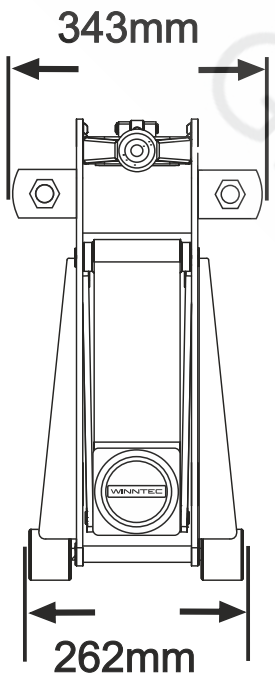
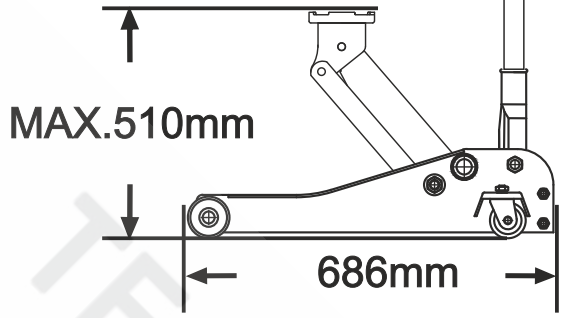
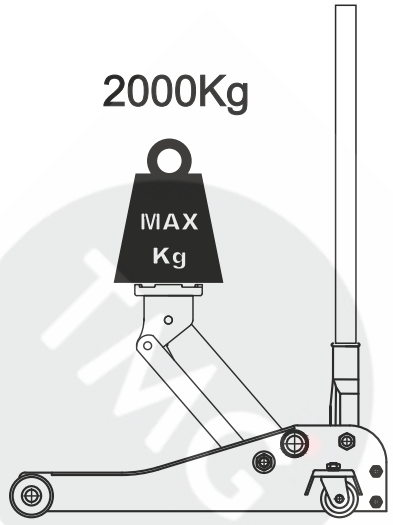
MANUFACTURERS

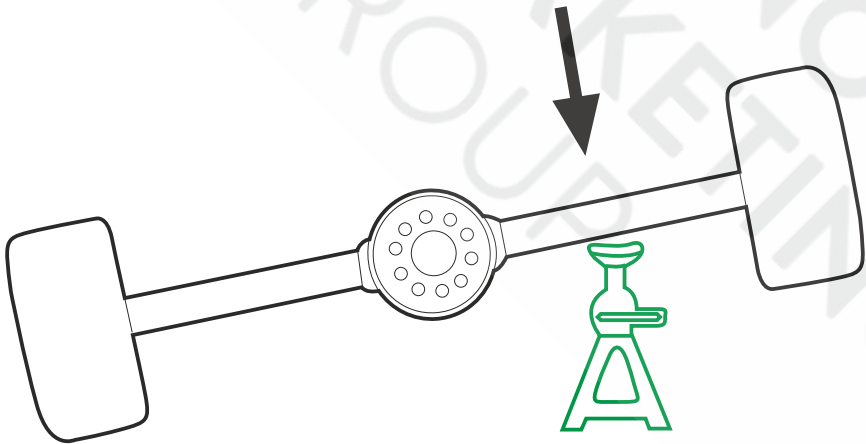
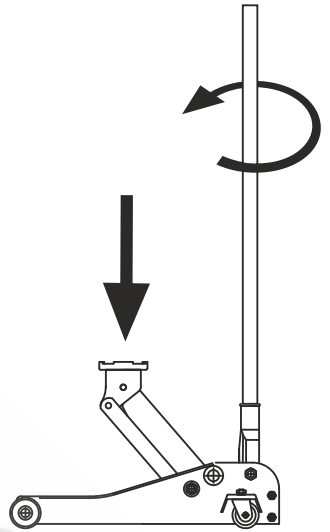
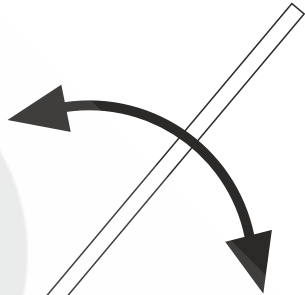
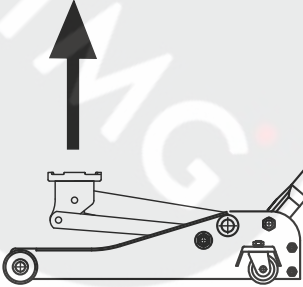
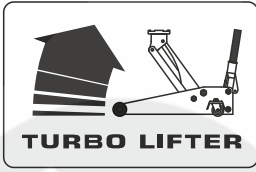
WARRANTY

3
YEARS WARRANTY

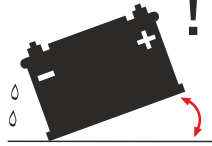
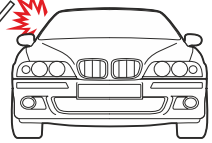
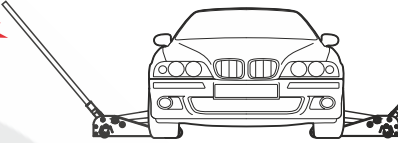
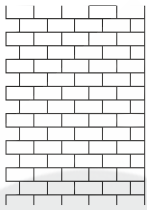
WINNTEC

2000Kg

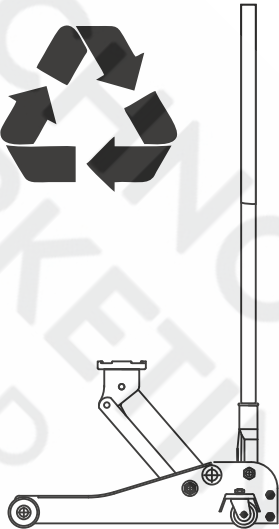
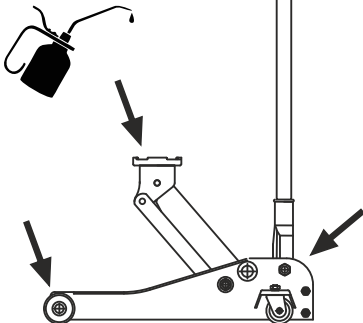
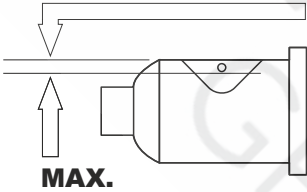


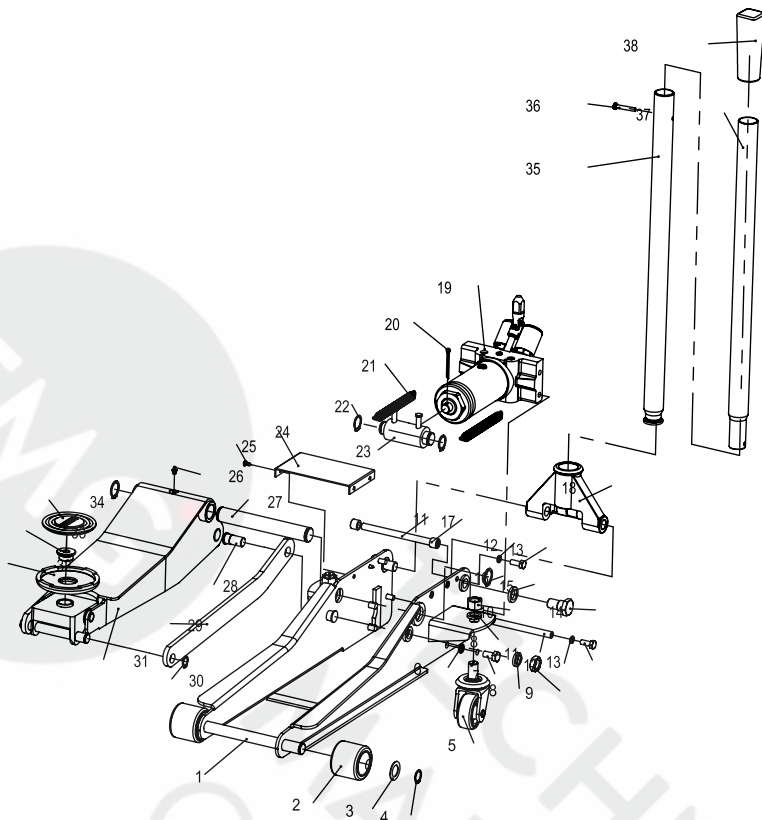


Y452300-Y452600-Y450301-Y451600



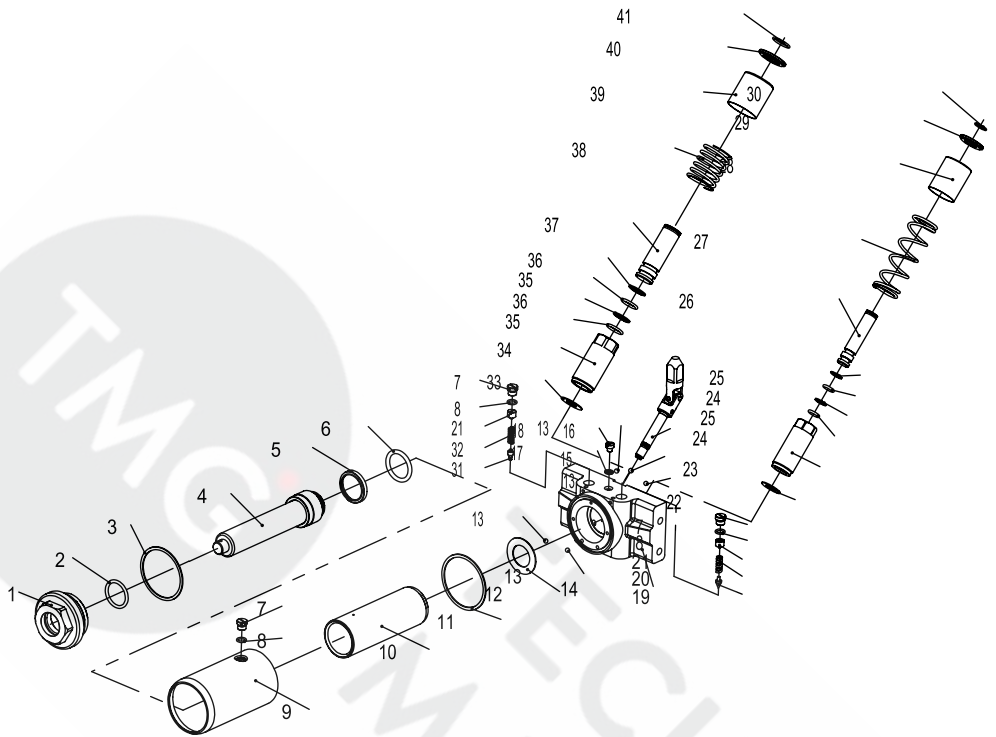
OIL LEVEL: 6.5MM





Y420250

Part	DESCRIPTION	QTY	NO.	DESCRIPTION	QTY
Y420250-1	SIDE PLAT ASSY	1	Y420250-21	SPRING	2
Y420250-2	FRONT WHEEL	2	Y420250-22	RETANING RING 22	2
Y420250-3	WASHER	2	Y420250-23	BLOCK LINKAGE	1
Y420250-4	RETANING RING 19	2	Y420250-24	PLATE	1
Y420250-5	REAR CAST	2	Y420250-25	SCREW ST4.8X13	4
Y420250-6	SPRING WASHER 10	4	Y420250-26	OIL CUP M6	1
Y420250-7	SCREW M10X20	4	Y420250-27	SHAFT	1
Y420250-8	SPRING WASHER 16	4	Y420250-28	BOLT	2
Y420250-9	NUT M16	2	Y420250-29	LONG LINKAGE	2
Y420250-10	NUT M16	2	Y420250-30	RETANING RING 16	2
Y420250-11	PULL ROD	2	Y420250-31	LIFT ARM ASSY	1
Y420250-12	SPRING WASHER 8	4	Y420250-32	SADDLE	1
Y420250-13	BOLT M8X20	4	Y420250-33	SCREW	1
Y420250-14	BOLT	2	Y420250-34	RUBBER PAD	1
Y420250-15	SPRING WASHER 18	2	Y420250-35	HANDLE LOWER	1
Y420250-16	RETANING RING 25	2	Y420250-36	BOLT M6X35	1
Y420250-17	BUSH	2	Y420250-37	HANDLE UPPER	1
Y420250-18	HANDLE SOCKET	1	Y420250-38	HANDLE BUMPER	1
Y420250-19	POWER UNIT	1			
Y420250-20	SPLIT PIN 4X45	1			



Y420250 - PU

PART	DESCRIPTION	QTY	NO.	DESCRIPTION	QTY
Y420250-PU1	Tank Nut	1	Y420250-PU22	Washer	1
Y420250-PU2	O-ring	1	Y420250-PU23	Pump case	1
Y420250-PU3	Washer	1	Y420250-PU24	O-ring 10x2.65	2
Y420250-PU4	Ram	1	Y420250-PU25	Sealing washer	2
Y420250-PU5	O-ring returner	1	Y420250-PU26	Pump core	1
Y420250-PU6	O-ring	1	Y420250-PU27	Press spring	1
Y420250-PU7	Seal bolt	3	Y420250-PU28	Pump outer case	1
Y420250-PU8	O-ring 8.5x1.8	3	Y420250-PU29	Pump cover	1
Y420250-PU9	Cylinder outer case	1	Y420250-PU30	Ring	1
Y420250-PU10	Cylinder	1	Y420250-PU31	Safety valve	1
Y420250-PU11	Washer	1	Y420250-PU32	Relief valve spring	1
Y420250-PU12	Washer	1	Y420250-PU33	Washer	1
Y420250-PU13	Ball $\Phi 5$	4	Y420250-PU34	Pump case	1
Y420250-PU14	Valve base	1	Y420250-PU35	O-ring 17x2.65	2
Y420250-PU15	Ball $\Phi 5.5$	1	Y420250-PU36	Sealing washer	2
Y420250-PU16	Release assembly	1	Y420250-PU37	Pump core	1
Y420250-PU17	Washer	1	Y420250-PU38	Press spring	1
Y420250-PU18	Screw	1	Y420250-PU39	Pump outer case	1
Y420250-PU19	Safety valve	1	Y420250-PU40	Pump cover	1
Y420250-PU20	Relief valve spring	1	Y420250-PU41	Ring	1
Y420250-PU21	Regulate bolt	1			

F**DECLARATION DE CONFORMITÉ**

Nous, Winntec
 Adresse : Rechtzaad 6
 4703 RC Roosendaal The Netherlands

déclarons sous notre seule responsabilité que les produits auxquels se réfère cette déclaration sont conformes aux dispositions des Directives : 2006/42/EC, EN 1494:2001+A1:2008

NL**VERKLARING VAN OVEREENKOMST**

Wij, Winntec
 Adres: Rechtzaad 6
 4703 RC Roosendaal The Netherlands

verklaren geheel onder eigen verantwoordelijkheid dat de volgende producten, waarop deze verklaring betrekking heeft, in overeenstemming zijn met de bepalingen van Richtlijn: 2006/42/EC, EN 1494:2001+A1:2008

I**DICHIARAZIONE DI CONFORMITÀ**

Noi, Winntec
 Indirizzo: Rechtzaad 6
 4703 RC Roosendaal The Netherlands

dichiariamo sotto la nostra esclusiva responsabilità che i prodotti ai quali questa dichiarazione si riferisce sono conformi a quanto previsto dalle direttive: 2006/42/EC, EN 1494:2001+A1:2008

E**DECLARACIÓN DE CONFORMIDAD**

Nosotros, Winntec
 Dirección: Rechtzaad 6
 4703 RC Roosendaal The Netherlands

declaramos bajo nuestra exclusiva responsabilidad la conformidad de los productos a los que refiere esta declaración, con las disposiciones de Directiva : 2006/42/EC, EN 1494:2001+A1:2008

P**DECLARAÇÃO DE CONFORMIDADE**

Nós, Winntec
 Endereço: Rechtzaad 6
 4703 RC Roosendaal The Netherlands

declaramos, sob nossa única responsabilidade, que os seguintes produtos, incluídos nesta declaração estão em conformidade com o disposto na Directiva : 2006/42/EC, EN 1494:2001+A1:2008

SE**FÖRSÄKRAN OM ÖVERESSTÄMMELSE**

Vi, Winntec
 Adress: Rechtzaad 6
 4703 RC Roosendaal The Netherlands

försäkrar under eget ansvar att följande produkter som omfattas av denna försäkran är i överensstämmelse med villkoren i direktiv: 2006/42/EC, EN 1494:2001+A1:2008

N**ERKLÆRING OM OVERENSSTEMMELSE**

Vi, Winntec
 Adresse : Rechtzaad 6
 4703 RC Roosendaal The Netherlands

erklærer på eget ansvar, at følgende produkter som dekkes af denne erklæring, er i overensstemmelse med bestemmelserne i Direktiv : 2006/42/EC, EN 1494:2001+A1:2008

DK**ÖVERENSSTEMMELSESERKLÆRING**

Vi, Winntec
 Adresse: Rechtzaad 6
 4703 RC Roosendaal The Netherlands

erklærer på eget ansvar et følgende produkter som er omfattet af denne erklæring, er i overensstemmelse med bestemmelserne i Direktiv: 2006/42/EC, EN 1494:2001+A1:2008

FIN**VAATIMUSTENMUKAISUUSVAKUUTUS**

Me, Winntec
 osoite: Rechtzaad 6
 4703 RC Roosendaal The Netherlands

vakuutamme yksinomaan omalia vastuullamme, että seuraavat tuotteet, joihin tämä vakuutus liittyy, ovat seuraavien direktiivien vaatimusten mukaisia : 2006/42/EC, EN 1494:2001+A1:2008

GB**DECLARATION OF CONFORMITY**

We, Winntec
 Address: Rechtzaad 6
 4703 RC Roosendaal The Netherlands

declare under our sole responsibility that the following products to which this declaration relates conform with the provisions of Directives : 2006/42/EC, EN 1494:2001+A1:2008

D**KONFORMITÄTSERKLÄRUNG**

Wir, Winntec
 Anschrift : Rechtzaad 6
 4703 RC Roosendaal The Netherlands

erklären auf eigene Verantwortung, daß folgende Produkte, auf die sich diese Erklärung bezieht, mit den Bedingungen der Direktiven 2006/42/EC, EN 1494:2001+A1:2008 übereinstimmen.



Typ, *tyyppi*, type, *type*, type, *Typ*, type, *tipo*, type, *tipo*, tipo

Y420250

Ralph Dubbeldam
 Managing Director
 Winntec
 Date: 2016-06-15
 Roosendaal
 The Netherlands