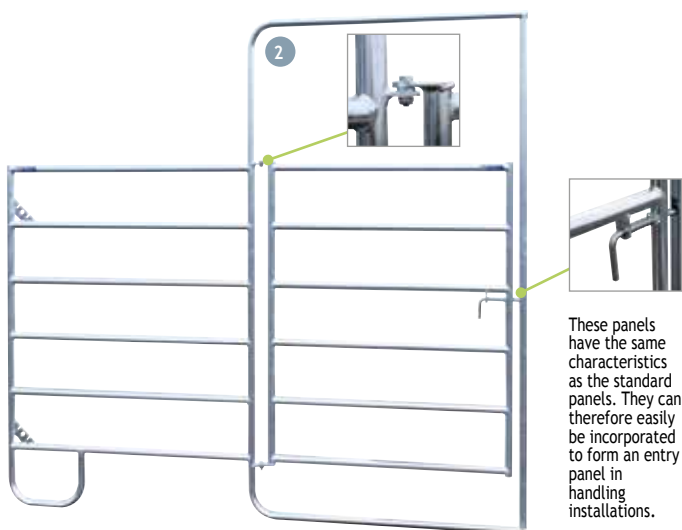
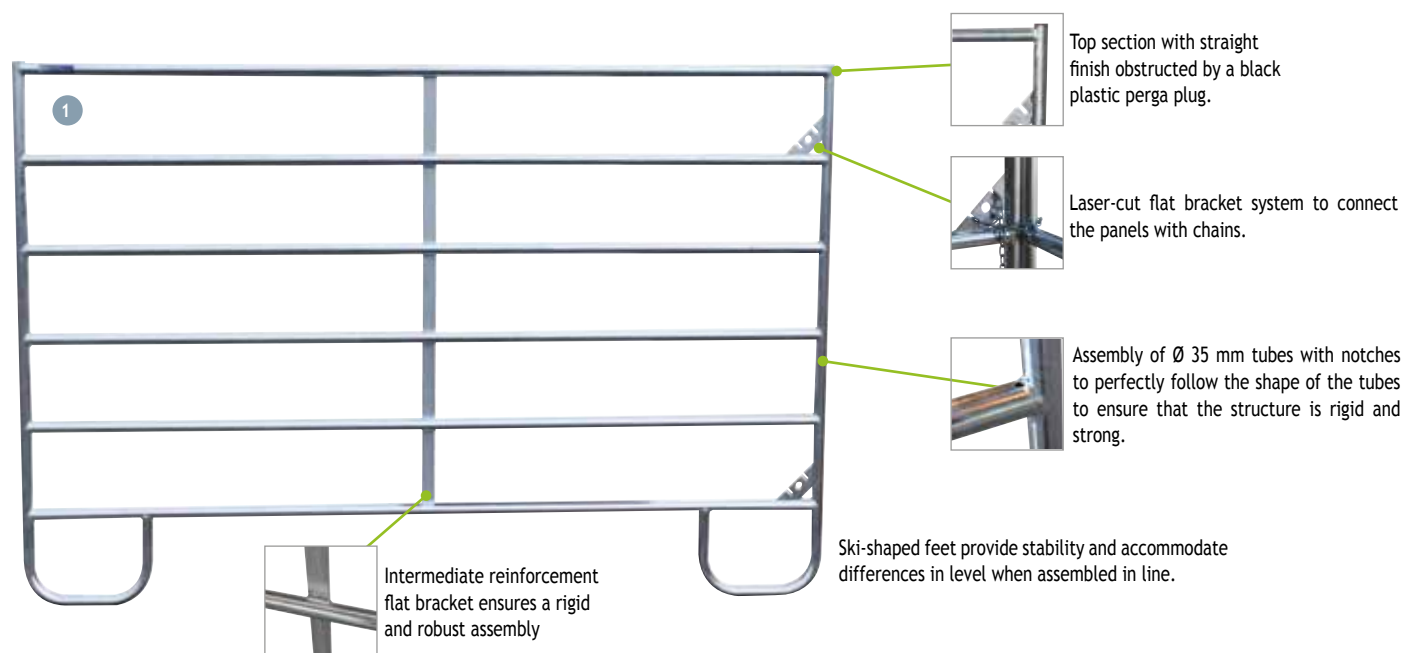


PANELS ET GATE PANELS



Lightweight and easy to handle. Can be moved as required.

Available in simple panels and gate panels. Each panel is fitted, at one end, with top and bottom flat brackets to lock a second panel with factory-fitted chains.



1 6-RAIL (Ø 35 MM) PANEL

Delivered with two chains for assembly.

- Material: galvanised steel
- Height: 1.60 m
- Ø: 35 mm
- Number of rails: 6

Length m	Code Unit	€ Ex. VAT	Packing Dealer
2.40	PG100 13 01		
3	PG100 13 03		
3.60	PG100 13 05		

2 6-RAIL (Ø 35 MM) GATE PANEL

Suitable for people and animals.

These panels have the same characteristics as the standard panels. They can therefore easily be incorporated to form an entry panel in handling installations. Delivered with two chains for assembly.

- Material: galvanised steel
- Height: 2.25 m
- Number of rails: 6
- Number of locks: 1

Length m	Code Unit	€ Ex. VAT	Packing Dealer
2.40	PG100 13 11		
3	PG100 13 13		
3.60	PG100 13 15		

ADJUSTABLE Ø 42 MM LINK HOOP PANEL

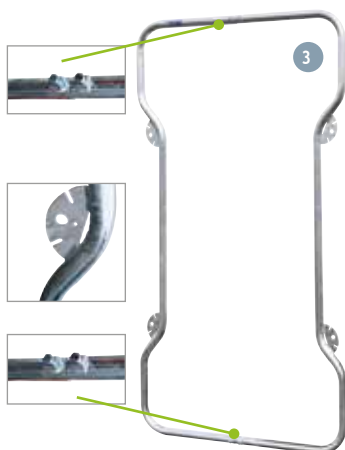
The link hoop panel has the same characteristics as standard panels.

Robust design using Ø 42.4 mm tubes. Width adjustable between 0.75 and 1.20 m.

Used to maintain the spacing of lines of panels on either side of a corridor while strengthening the structure.

Delivered with 4 chains for assembly.

- Material: galvanised steel
- Height: 2.10 m
- Length: 0.75 m



Code Unit	€ Ex. VAT	Packing Dealer
PG100 13 09		

FASTENING FOR PANEL ASSEMBLY

Used to join panels. Safe assembly of two or three Ø 35 mm tubes. Delivered with screws.

- Material: galvanised steel

Fastening	Code Pair	€ Ex. VAT	Packing Dealer
for 2 tubes	PG100 13 21		
for 3 tubes	PG100 13 23		

